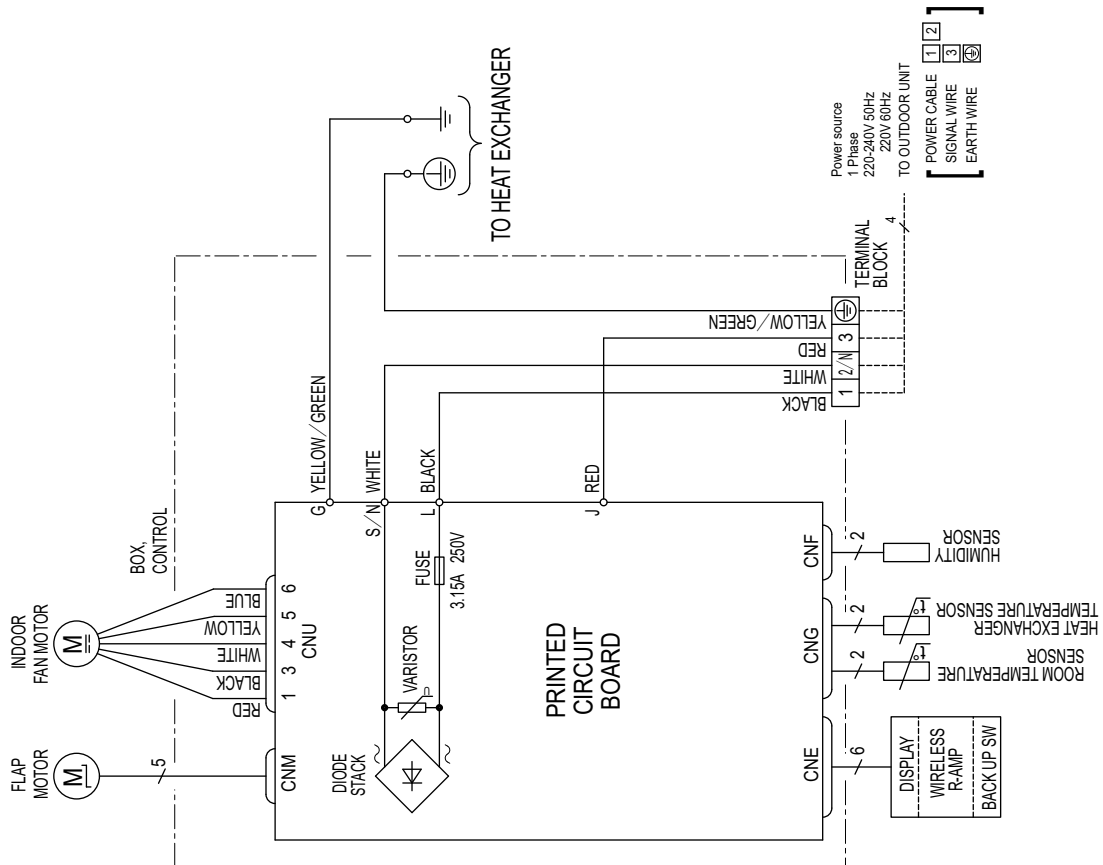


3. ELECTRICAL WIRING

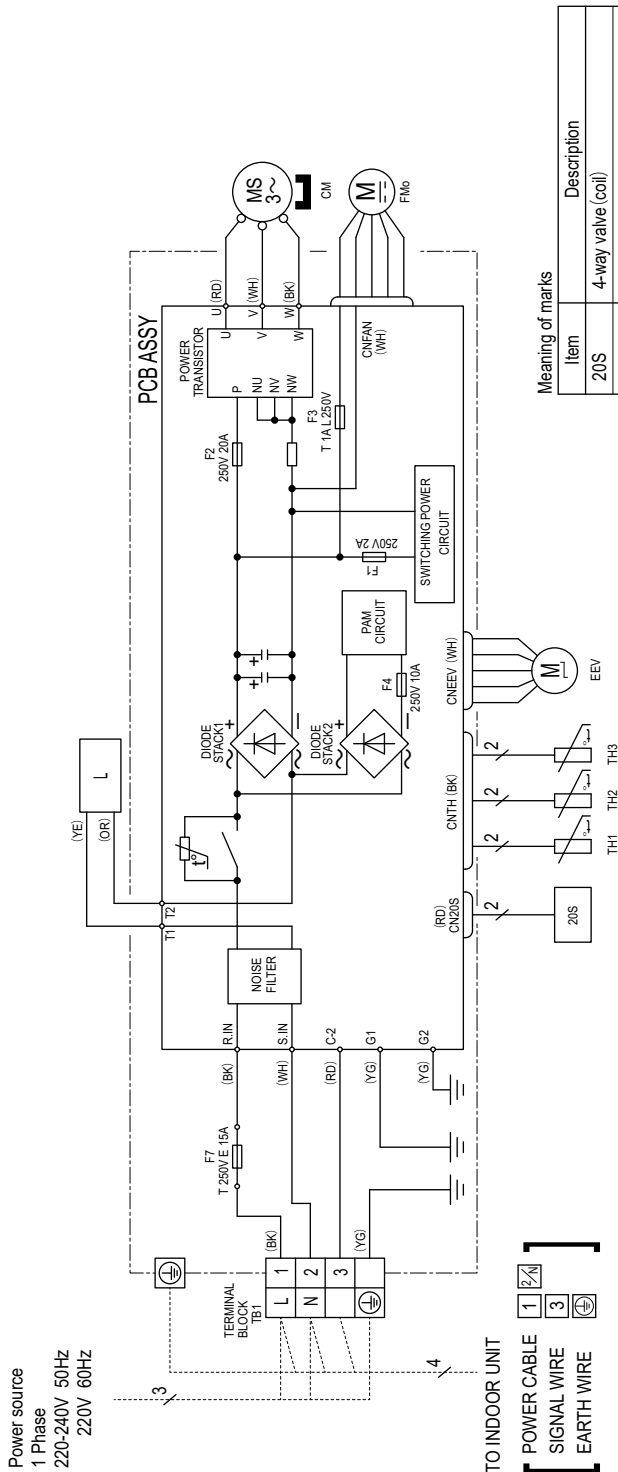
(1) Indoor units

Models SRK25ZSP-W1, 35ZSP-W1, 45ZSP-W1, 50ZSP-W1

Item	Description
CNE	Connector
CNF	
CNG	
CNM	
CNU	



(2) Outdoor units
 Models SRC25ZSP-W1, 35ZSP-W1



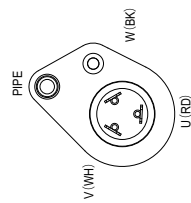
TO INDOOR UNIT
 [POWER CABLE 1 2/4]
 [SIGNAL WIRE 3]
 [EARTH WIRE]

Meaning of marks

Item	Description
ZOS	4-way valve (coil)
CN2OS	Connector
CNEEV	Compressor motor
CNFAN	Electric expansion valve (coil)
CNTH	Fan motor
CM	Reactor
EEV	Heat exchanger temperature sensor
FMo	Outdoor air temperature sensor
L	Discharge pipe temperature sensor
TH1	
TH2	
TH3	

Color marks

Mark	Color
BK	Black
RD	Red
WH	White
OR	Orange
YE	Yellow
YG	Yellow / Green



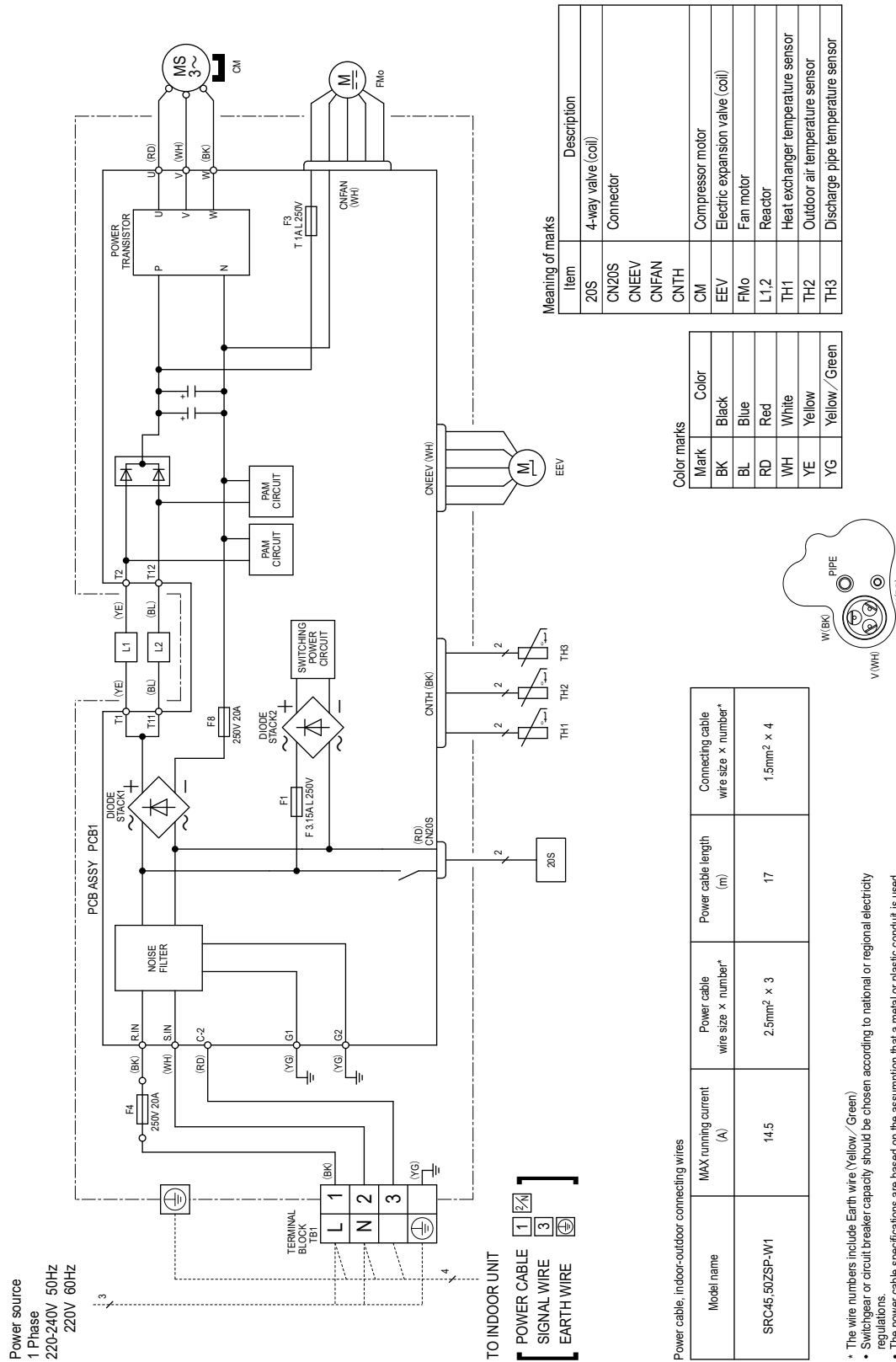
COMPRESSOR
 TERMINAL BLOCK

Power cable, indoor-outdoor connecting wires

Model name	MAX running current (A)	Power cable wire size x number*	Power cable length (m)	Connecting cable wire size x number*
SRC25,35ZSP-W1	9	2.5mm ² x 3	28	1.5mm ² x 4

* The wire numbers include Earth wire (Yellow / Green)
 • Switchgear or circuit breaker capacity should be chosen according to national or regional electricity regulations.
 • The power cable specifications are based on the assumption that a metal or plastic conduit is used with no more than three cables contained in a conduit and a voltage drop is 2%. For an installation falling outside of these conditions, please follow the national or regional electricity regulations.

Models SRC45ZSP-W1, 50ZSP-W1

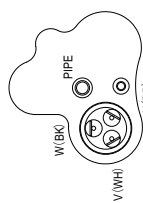


Meaning of marks

Item	Description
20S	4-way valve (coil)
CN20S	Connector
CNEEV	
CNFAN	
CNTH	
CM	Compressor motor
EEV	Electric expansion valve (coil)
FMo	Fan motor
L1,2	Reactor
TH1	Heat exchanger temperature sensor
TH2	Outdoor air temperature sensor
TH3	Discharge pipe temperature sensor

Color marks

Mark	Color
BK	Black
BL	Blue
RD	Red
WH	White
YE	Yellow
YG	Yellow / Green



COMPRESSOR
TERMINAL BLOCK

Power cable, indoor-outdoor connecting wires

Model name	MAX running current (A)	Power cable wire size x number*	Power cable length (m)	Connecting cable wire size x number*
SRC45, 50ZSP-W1	14.5	2.5mm ² x 3	17	1.5mm ² x 4

- * The wire numbers include Earth wire (Yellow / Green)
- Switchgear or circuit breaker capacity should be chosen according to national or regional electricity regulations.
- The power cable specifications are based on the assumption that a metal or plastic conduit is used with no more than three cables contained in a conduit and a voltage drop is 2%. For an installation falling outside of these conditions, please follow the national or regional electricity regulations.

RWC000Z358